

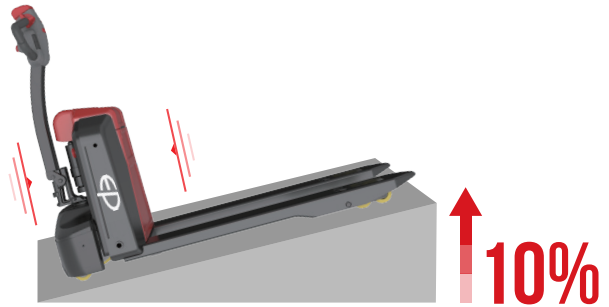
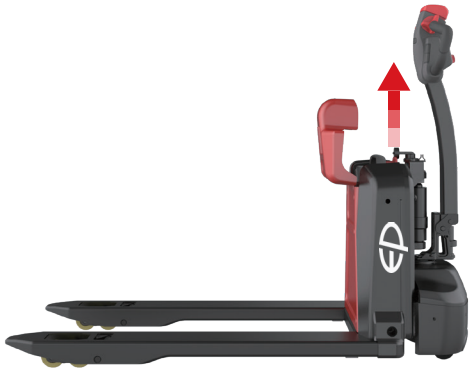


EPL185

Electric Pallet Truck 1.8T

- | Reliable drive system ;
- | Fast charging;
- | Convenient to use;
- | Easy maintenance and more durable.

PRODUCT PARAMETERS



1

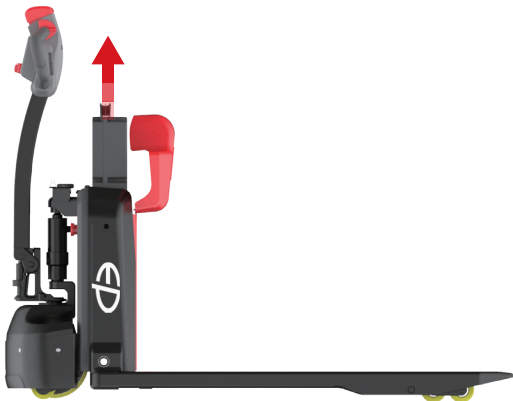
Optimized structure, easy operation

- The metal protective cover of battery can be flipped over, which can effectively protect the battery;
- The battery has simple cover with two combination modes, it can prevent the battery from plugging and unplugging at will.

2

Safe

- The truck uses the second generation drive technology and brushless DC motor. There is no need to replace the carbon brush and the drive is more powerful.
- Its max. Gradeability can reach 10% for the high power version.



floating



3

New plug-in&out battery design

- On-board charger with plug-in&out battery to satisfy different working condition.
- Fast charging can be optionally equipped with.
- Li-ion battery developed by EP is equipped with CAN and BMS, which is more convenient to use.

4

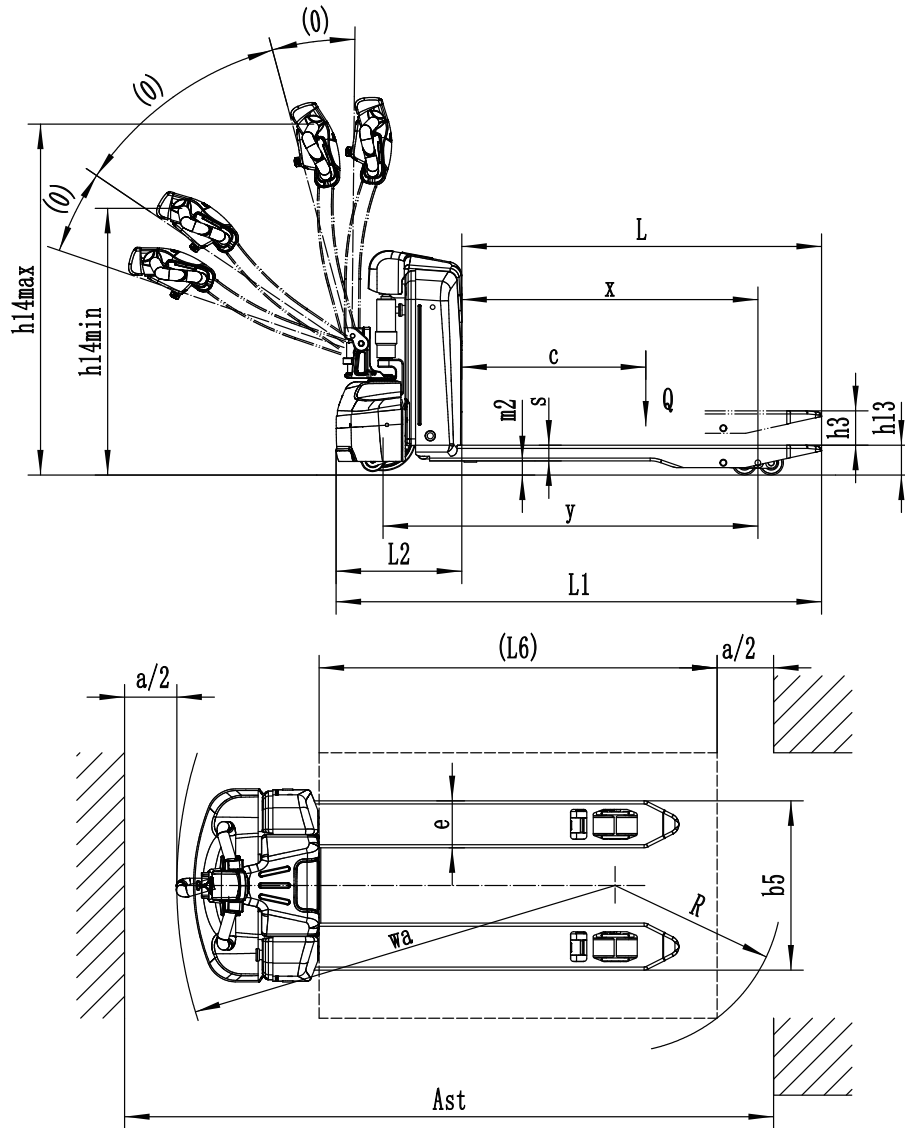
rigorous design and convenient maintenance

- Floating battery cartridge to protect battery contact pins.

PRODUCT PARAMETERS

Distinguishing mark				
1.1	Manufacturer			EP
1.2	Model designation			EPL185
1.3	Drive unit			Battery
1.4	Operator type			Pedestrian
1.5	rated capacity	Q	kg	1800
1.6	Load center distance	c	mm	600
1.8	Load distance	x	mm	940(875)
1.9	Wheelbase	y	mm	1200(1135)
Weight				
2.1	Service weight (include battery)		kg	160
2.2	Axle loading, laden driving side/loading side		kg	555/1390
2.3	Axle loading, unladen driving side/loading side		kg	115/30
Types,Chassis				
3.1	Tyre type driving wheels/loading wheels			PU
3.2	Tyre size, driving wheels (diameter*width)		mm	Φ210x70
3.3	Tyre size, loading wheels (diameter*width)		mm	Φ80x60(Φ74x88)
3.4	Tyre size, caster wheels (diameter*width)		mm	Φ74X30
3.5	Wheels, number driving, caster/loading (x=drive wheels)		mm	1x/4(1x/2)
3.6	Track width, front,driving side	b10	mm	510
3.7	Track width,rear,loading side	b11	mm	390/535
Dimensions				
4.4	Lift height	h3	mm	115
4.9	Height drawbar in driving position min./max.	h14	mm	850/1260
4.15	Lowered height	h13	mm	80
4.19	Overall length	l1	mm	1550
4.20	Length to face of forks	l2	mm	400
4.21	Overall width	b1/ b2	mm	610(695)
4.22	Fork dimensions	s/ e/ l	mm	50x150x1150
4.25	Distance between fork-arms	b5	mm	540(685)
4.32	Ground clearance, center of wheelbase	m2	mm	30
4.34.1	Aisle width for pallets 1000 × 1200 crossways	Ast	mm	1645
4.34.2	Aisle width for pallets 800 × 1200 lengthways	Ast	mm	1845
4.35	Turning radius	Wa	mm	1390
Performance data				
5.1	Travel speed, laden/ unladen	km/ h	km/h	5/5.5
5.2	Lifting speed, laden/ unladen		m/ s	0.026/0.033
5.3	Lowering speed, laden/ unladen		m/ s	0.07/0.043
5.8	Max. gradeability, laden/unladen		%	8/25
5.10	Service brake type			electric
Electric-engine				
6.1	Drive motor rating S2 60 min		kW	0.9
6.2	Lift motor rating at S3 15%		kW	0.8
6.3	The maximum allowed size battery		mm	270*110*400 (handle 440)
6.4	Battery voltage/nominal capacity K5		V/ Ah	48/20 (30 option)
6.5	Battery weight		kg	14
Addition data				
8.1	Type of drive control			DC
10.5	Steering type			mechanical
10.7	Sound pressure level at the driver's ear		dB (A)	<74

LINE GRAPH



OPTION

Optional items		EPL185
1	Fork length	1150/900/1000/1220/1350/1500
2	Fork width	○540/○685
8	Double load wheel	●
9	Single load wheel	○
10	Driving wheel	-
11	Balance wheel	●
15	cold storage	-
17	Battery indicator with hour meter	●
18	Battery indicator without hour meter	-
19	Battery capacity	24V/20Ah
20	Lateral change battery	-
22	Water auto-filling system	-
25	Vertical handler working	●
31	half speed function in turning	-
32	Guard arm	-
33	Fork lowered height	-
34	Special backrest	-

Note: ● standard ○ option — NA